

CONDENSING UNIT SPECIFICATION SHEET

Condensing Unit Details

Model JEHS-0200-B2-M-1
 Application Medium Temperature

Electrical Supply

230V / 1Ph / 50Hz

Weights & Dimensions

Width 1101 mm
 Depth 444 mm
 Height 662 mm
 Mounting Dims. 703 mm (W) x 408 mm (D)
 Weight (Dry) 70 kgs

Compressor Data

Type ZB15KQE-PFJ
 Swept Volume 5.90 m³/h
 Oil Charge 1.24 litres
 Nom. Current (A) 7.3
 MCC (A) 18.5
 LRC (A) 58.0

Fan Motors

No. 1
 FLC (A) 0.6

Condenser Coil

Type Microchannel
 Volume 0.51 litres

Liquid Receiver

Volume 4.5 litres

Airflow

Volume 2700 m³/h

Applicable Refrigerants

R134a/R404A/R407A/R407F/R448A/R449A

Unit Connections

Liquid 3/8"
 Suction 3/4"

Sound Pressure Level @ 10m (-10°C/+32°C)

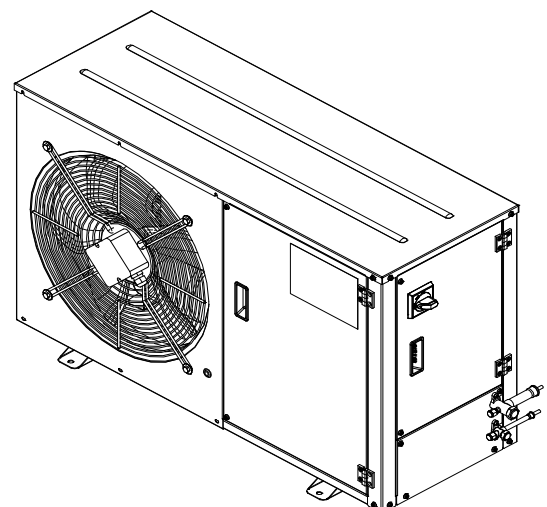
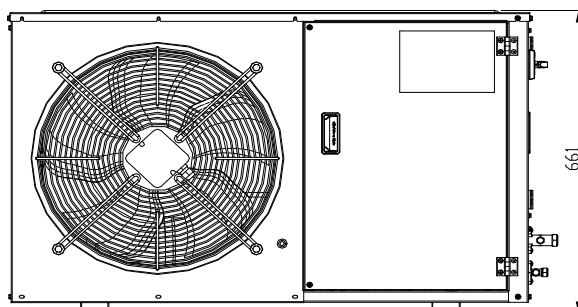
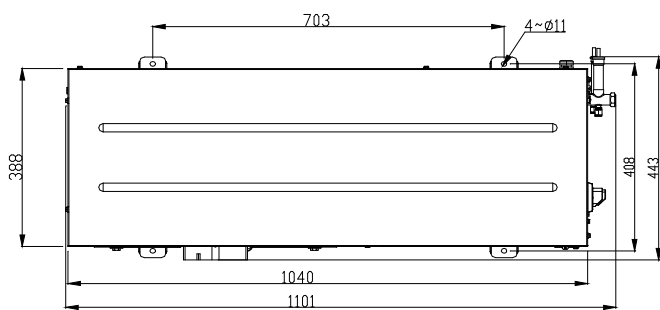
33 dB(A)

Performance Data at -10°C/+32°C Conditions

	Capacity (W) 10K SH	Capacity (W) 20°C RGT
R134a	2050	2130
R404A	3540	3770
R407A	3390	3480
R407F	3260	3330
R448A	3240	3330
R449A	3240	3330

1/1 Octave Sound Pressure Levels @ 1 meter from the unit

Frequency							
125 Hz	250 Hz	500 Hz	1 kHz	2 kHz	4 kHz	8 kHz	A (dBA)
56.2	53.5	51.0	48.0	42.3	34.2	29.3	52.7



Product Information based on the requirements of Commission Regulation EU 2015/1095

Model : JEHS-0200-B2-M-1

Refrigerant fluid:		R404A	R407A	R407F	R134a	R448A	R449A	
Item	Symbol	Value						Unit
Evaporating temperature*	t	-10						°C
Parameters at full load and ambient temperature 32 °C								
Rated cooling capacity	P_A	3.77	3.48	3.33	2.13	3.33	3.33	kW
Rated power input	D_A	1.57	1.60	1.74	1.11	1.65	1.65	kW
Rated COP	COP_A	2.40	2.18	1.92	1.92	2.02	2.02	
Parameters at full load and ambient temperature 25 °C								
Cooling capacity	P_2	4.03	3.72	3.68	2.25	3.62	3.62	kW
Power input	D_2	1.44	1.43	1.50	1.02	1.43	1.43	kW
COP	COP_2	2.80	2.61	2.46	2.21	2.53	2.53	
Parameters at full load and ambient temperature 43 °C								
Cooling capacity	P_3	3.20	N/A	N/A	1.87	2.80	2.80	kW
Power input	D_3	1.91	N/A	N/A	1.32	2.14	2.14	kW
COP	COP_3	1.68	N/A	N/A	1.42	1.31	1.31	
Other items								
Capacity control		Fixed						
Coefficient of degradation for fixed and staged capacity units*	Cd	0.25						
Contact details	Daikin Refrigeration Malaysia Sdn. Bhd. Lot 10, Jalan Perusahaan 8, Kawasan Perusahaan Pekan Banting, 42700 Banting, Selangor Darul Ehsan.							

Note: Published data based on condition - Return Gas Temperature 20° C



6SC0200EM-ABBA-55