

Condensing Unit Details

Model JEHS-0200-B2-M-3
 Application Medium Temperature

Electrical Supply

400V / 3Ph / 50Hz

Weights & Dimensions

Width 1101 mm
 Depth 444 mm
 Height 662 mm
 Mounting Dims. 703 mm (W) x 408 mm (D)
 Weight (Dry) 70 kgs

Compressor Data

Type ZB15KQE-TFD
 Swept Volume 5.90 m³/h
 Oil Charge 1.24 litres
 Nom. Current (A) 2.9
 MCC (A) 7.0
 LRC (A) 26.0

Fan Motors

No. 1
 FLC (A) 0.6

Condenser Coil

Type Microchannel
 Volume 0.51 litres

Liquid Receiver

Volume 4.5 litres

Airflow

Volume 2700 m³/h

Applicable Refrigerants

R134a/R404A/R407A/R407F/R448A/R449A

Unit Connections

Liquid 3/8"
 Suction 3/4"

Sound Pressure Level @ 10m (-10°C/+32°C)

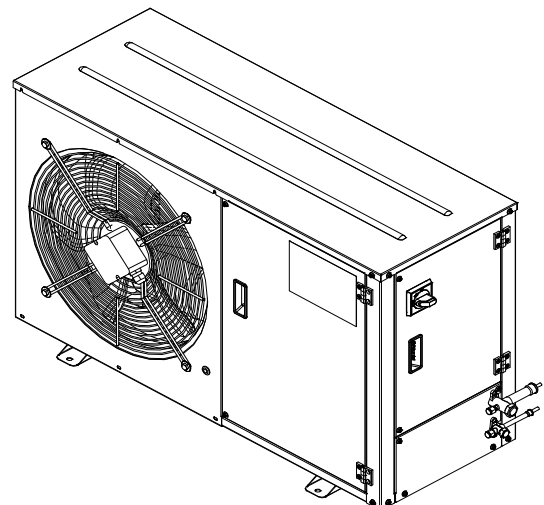
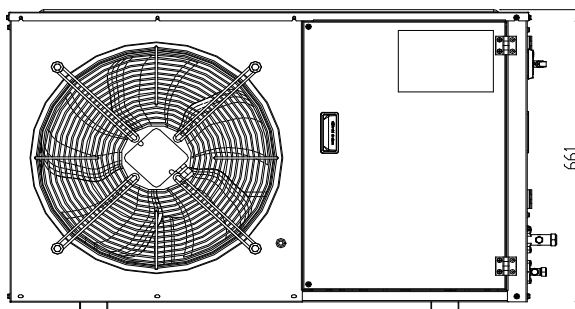
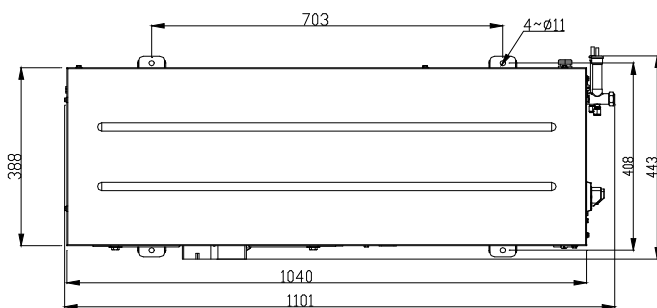
33 dB(A)

Performance Data at -10°C/+32°C Conditions

	Capacity (W) 10K SH	Capacity (W) 20°C RGT
R134a	2170	2240
R404A	3490	3710
R407A	3360	3450
R407F	3220	3300
R448A	3240	3330
R449A	3240	3330

1/1 Octave Sound Pressure Levels @ 1 meter from the unit

Frequency							
125 Hz	250 Hz	500 Hz	1 kHz	2 kHz	4 kHz	8 kHz	A (dBA)
56.2	53.5	51.0	48.0	42.3	34.2	29.3	52.7



Product Information based on the requirements of Commission Regulation EU 2015/1095

Model : JEHS-0200-B2-M-3

Refrigerant fluid:		R404A	R407A	R407F	R134a	R448A	R449A	
Item	Symbol	Value						Unit
Evaporating temperature*	t	-10						°C
Parameters at full load and ambient temperature 32 °C								
Rated cooling capacity	P_A	3.71	3.45	3.33	2.24	3.33	3.33	kW
Rated power input	D_A	1.70	1.63	1.78	1.03	1.65	1.65	kW
Rated COP	COP_A	2.19	2.12	1.88	2.19	2.02	2.02	
Parameters at full load and ambient temperature 25 °C								
Cooling capacity	P_2	3.97	3.69	3.64	2.38	3.62	3.62	kW
Power input	D_2	1.54	1.45	1.53	0.91	1.43	1.43	kW
COP	COP_2	2.58	2.55	2.39	2.62	2.53	2.53	
Parameters at full load and ambient temperature 43 °C								
Cooling capacity	P_3	3.00	N/A	N/A	N/A	2.80	2.80	kW
Power input	D_3	2.19	N/A	N/A	N/A	2.14	2.14	kW
COP	COP_3	1.37	N/A	N/A	N/A	1.31	1.31	
Other items								
Capacity control		Fixed						
Coefficient of degradation for fixed and staged capacity units*	Cd	0.25						
Contact details	Daikin Refrigeration Malaysia Sdn. Bhd. Lot 10, Jalan Perusahaan 8, Kawasan Perusahaan Pekan Banting, 42700 Banting, Selangor Darul Ehsan.							

Note: Published data based on condition - Return Gas Temperature 20° C



6SC0200EM-FBBA-55