

CONDENSING UNIT SPECIFICATION SHEET

Condensing Unit Details

Model	JEHS-0350-B2-M-1
Application	Medium Temperature

Electrical Supply

230V / 1Ph / 50Hz

Weights & Dimensions

Width	1101 mm
Depth	444 mm
Height	662 mm
Mounting Dims.	703 mm (W) x 408 mm (D)
Weight (Dry)	74 kgs

Compressor Data

Type	ZB26KQE-PFJ
Swept Volume	9.90 m ³ /h
Oil Charge	1.50 litres
Nom. Current (A)	14.8
MCC (A)	25
LRC (A)	97.0

Fan Motors

No.	1
FLC (A)	0.6

Condenser Coil

Type	Microchannel
Volume	0.51 litres

Liquid Receiver

Volume	4.5 litres
--------	------------

Airflow

Volume	2700 m ³ /h
--------	------------------------

Applicable Refrigerants

R134a/R404A/R448A/R449A

Unit Connections

Liquid	3/8"
Suction	3/4"

Sound Pressure Level @ 10m (-10°C/+32°C)

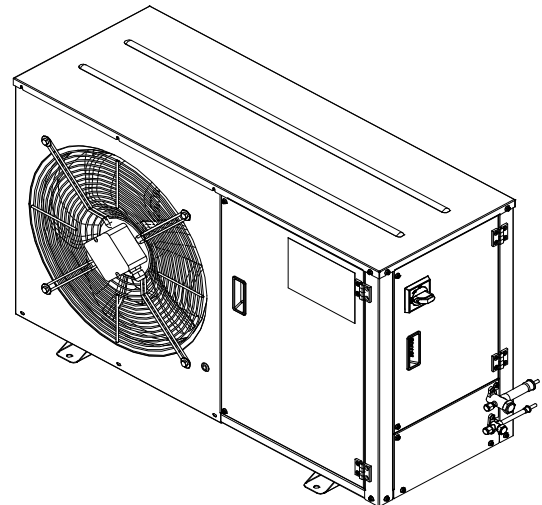
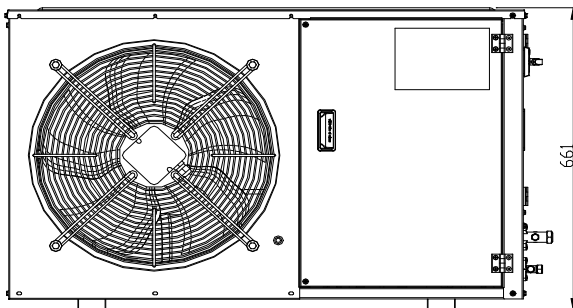
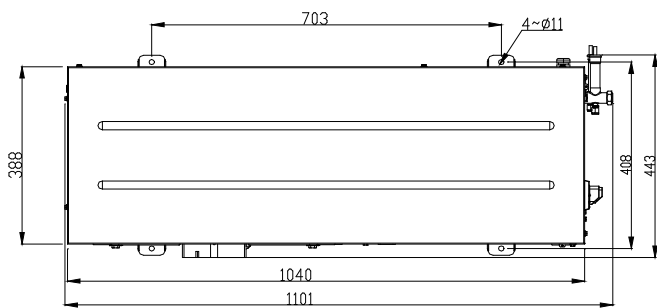
39 dB(A)

Performance Data at -10°C/+32°C Conditions

	Capacity (W) 10K SH	Capacity (W) 20°C RGT
R134a	3410	n/a
R404A	5100	5510
R407A	n/a	n/a
R407F	n/a	n/a
R448A	5270	5460
R449A	5270	5460

1/1 Octave Sound Pressure Levels @ 1 meter from the unit

Frequency							
125 Hz	250 Hz	500 Hz	1 kHz	2 kHz	4 kHz	8 kHz	A (dBA)
64.5	60.3	59.5	52.9	48.4	39.4	33.3	59.4



Product Information based on the requirements of Commission Regulation EU 2015/1095

Model : JEHS-0350-B2-M-1

Refrigerant fluid:		R448A	R449A	
Item	Symbol	Value		Unit
Evaporating temperature*	t	-10		°C
Annual electricity consumption	Q	12363	12363	kWh/a
Seasonal Energy Performance Ratio	$SEPR$	2.72	2.72	
Parameters at full load and ambient temperature 32 °C (Point A)				
Rated cooling capacity	P_A	5.46	5.46	kW
Rated power input	D_A	3.09	3.09	kW
Rated COP	COP_A	1.77	1.77	
Parameters at part load and ambient temperature 25 °C (Point B)				
Declared cooling capacity	P_B	5.900	5.900	kW
Declared power input	D_B	2.710	2.710	kW
Declared COP	COP_B	2.18	2.18	
Parameters at part load and ambient temperature 15 °C (Point C)				
Declared cooling capacity	P_C	6.500	6.500	kW
Declared power input	D_C	2.260	2.260	kW
Declared COP	COP_C	2.88	2.88	
Parameters at part load and ambient temperature 5 °C (Point D)				
Declared cooling capacity	P_D	7.090	7.090	kW
Declared power input	D_D	1.880	1.880	kW
Declared COP	COP_D	3.77	3.77	
Parameters at full load and ambient temperature 43 °C				
Cooling capacity	P_3	4.78	4.78	kW
Power input	D_3	3.78	3.78	kW
Declared COP	COP_3	1.26	1.26	
Other items				
Capacity control	Fixed			
Coefficient of degradation for fixed and staged capacity units*	C_d	0.25		
Contact details	Daikin Refrigeration Malaysia Sdn. Bhd. Lot 10, Jalan Perusahaan 8, Kawasan Perusahaan Pekan Banting, 42700 Banting, Selangor Darul Ehsan.			

Refrigerant fluid:		R134a	
Item	Symbol	Value	Unit
Evaporating temperature*	t	-10	°C
Parameters at full load and ambient temperature 32 °C			
Rated cooling capacity	P_A	3.41	kW
Rated power input	D_A	1.83	kW
Rated COP	COP_A	1.86	
Parameters at full load and ambient temperature 25 °C			
Cooling capacity	P_2	3.63	kW
Power input	D_2	1.65	kW
COP	COP_2	2.20	
Parameters at full load and ambient temperature 43 °C			
Cooling capacity	P_3	3.01	kW
Power input	D_3	2.15	kW
COP	COP_3	1.40	
Other items			
Capacity control	Fixed		
Coefficient of degradation for fixed and staged capacity units*	C_d	0.25	
Contact details	Daikin Refrigeration Malaysia Sdn. Bhd. Lot 10, Jalan Perusahaan 8, Kawasan Perusahaan Pekan Banting, 42700 Banting, Selangor Darul Ehsan.		

Note: Published data based on condition - Return Gas Temperature 20° C for R448A/R449A
Published data based on condition - SH10K for R134a



6SC0350EM-ABBA-55