

## CONDENSING UNIT SPECIFICATION SHEET

### Condensing Unit Details

Model JEHS-0250-B2-M-1  
Application Medium Temperature

### Electrical Supply

230V / 1Ph / 50Hz

### Weights & Dimensions

Width 1101 mm  
Depth 444 mm  
Height 662 mm  
Mounting Dims. 703 mm (W) x 408 mm (D)  
Weight (Dry) 72 kgs

### Compressor Data

Type ZB19KQE-PFJ  
Swept Volume 6.80 m<sup>3</sup>/h  
Oil Charge 1.30 litres  
Nom. Current (A) 9.3  
MCC (A) 20.5  
LRC (A) 61.0

### Fan Motors

No. 1  
FLC (A) 0.6

### Condenser Coil

Type Microchannel  
Volume 0.51 litres

### Liquid Receiver

Volume 4.5 litres

### Airflow

Volume 2700 m<sup>3</sup>/h

### Applicable Refrigerants

R134a/R404A/R407A/R407F/R448A/R449A

### Unit Connections

Liquid 3/8"  
Suction 3/4"

### Sound Pressure Level @ 10m (-10°C/+32°C)

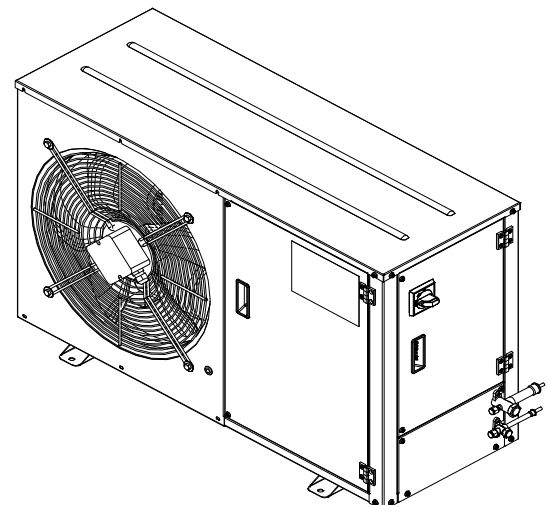
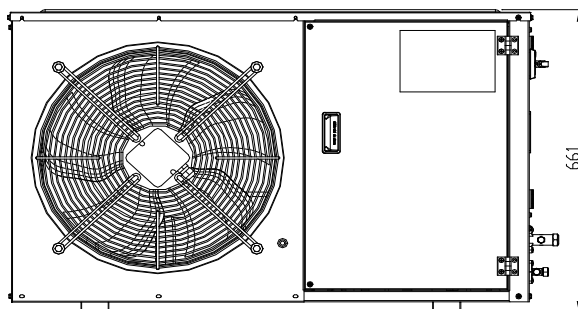
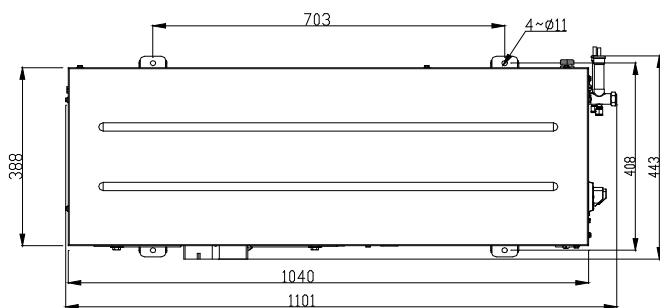
34 dB(A)

### Performance Data at -10°C/+32°C Conditions

	Capacity (W) 10K SH	Capacity (W) 20°C RGT
R134a	2590	n/a
R404A	3990	4270
R407A	3980	4090
R407F	3730	3820
R448A	3700	3820
R449A	3700	3820

### 1/1 Octave Sound Pressure Levels @ 1 meter from the unit

Frequency							
125 Hz	250 Hz	500 Hz	1 kHz	2 kHz	4 kHz	8 kHz	A (dBA)
54.1	59.4	50.2	45.3	41.8	33.9	31.5	53.8



# Product Information based on the requirements of Commission Regulation EU 2015/1095

Model : JEHS-0250-B2-M-1

Refrigerant fluid:		R404A	R407A	R407F	R448A	R449A	Unit
Item	Symbol	Value					Unit
Evaporating temperature*	$t$	-10					°C
<b>Parameters at full load and ambient temperature 32 °C</b>							
Rated cooling capacity	$P_A$	4.27	4.09	3.82	3.82	3.82	kW
Rated power input	$D_A$	2.00	1.99	2.09	1.98	1.98	kW
Rated COP	$COP_A$	2.14	2.06	1.83	1.93	1.93	
<b>Parameters at full load and ambient temperature 25 °C</b>							
Cooling capacity	$P_2$	4.57	4.35	4.26	4.08	4.08	kW
Power input	$D_2$	1.70	1.79	1.83	1.76	1.76	kW
COP	$COP_2$	2.69	2.44	2.33	2.32	2.32	
<b>Parameters at full load and ambient temperature 43 °C</b>							
Cooling capacity	$P_3$	3.58	N/A	N/A	3.35	3.35	kW
Power input	$D_3$	2.46	N/A	N/A	2.47	2.47	kW
COP	$COP_3$	1.46	N/A	N/A	1.36	1.36	
<b>Other items</b>							
Capacity control	Fixed						
Coefficient of degradation for fixed and staged capacity units*	$C_d$	0.25					
Contact details	Daikin Refrigeration Malaysia Sdn. Bhd. Lot 10, Jalan Perusahaan 8, Kawasan Perusahaan Pekan Banting, 42700 Banting, Selangor Darul Ehsan.						

Note: Published data based on condition - Return Gas Temperature 20° C



6SC0250EM-ABBA-55