

CONDENSING UNIT SPECIFICATION SHEET

Condensing Unit Details

Model	JEHS-0680-B3-M-3
Application	Medium Temperature

Electrical Supply

400V / 3Ph / 50Hz

Weights & Dimensions

Width	1353 mm
Depth	575 mm
Height	872 mm
Mounting Dims.	945 mm (W) x 500 mm (D)
Weight (Dry)	126 kgs

Compressor Data

Type	ZB48KQE-TFD
Swept Volume	18.80 m ³ /h
Oil Charge	1.80 litres
Nom. Current (A)	11.4
MCC (A)	19.1
LRC (A)	101.0

Fan Motors

No.	1
FLC (A)	0.9

Condenser Coil

Type	Al-Cu Fin/Tube
Volume	6.89 litres

Liquid Receiver

Volume	7.6 litres
--------	------------

Airflow

Volume	4100 m ³ /h
--------	------------------------

Applicable Refrigerants

R134a/R404A/R407A/R407F/R448A/R449A

Unit Connections

Liquid	1/2"
Suction	1-1/8"

Sound Pressure Level @ 10m (-10°C/+32°C)

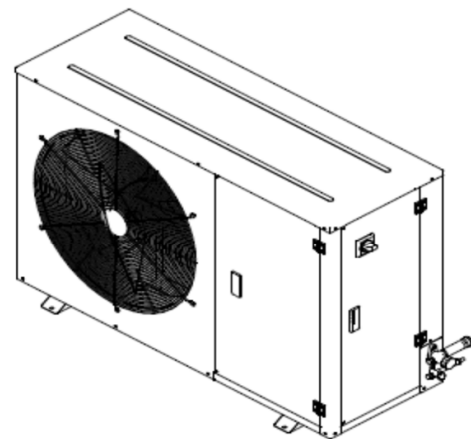
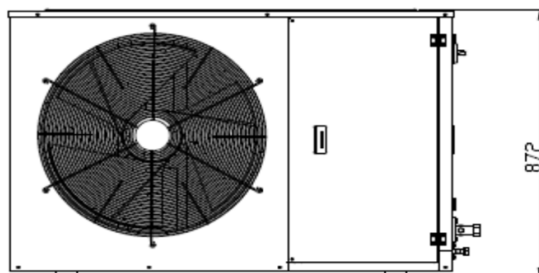
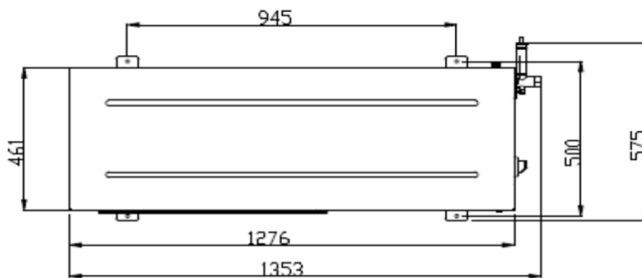
40 dB(A)

Performance Data at -10°C/+32°C Conditions

	Capacity (W) 10K SH	Capacity (W) 20°C RGT
R134a	6890	n/a
R404A	10150	10950
R407A	10350	10700
R407F	10400	n/a
R448A	10150	10500
R449A	10150	10500

1/1 Octave Sound Pressure Levels @ 1 meter from the unit

Frequency							
125 Hz	250 Hz	500 Hz	1 kHz	2 kHz	4 kHz	8 kHz	A (dBA)
62.7	62.5	57.2	54.2	49.3	44.6	34.4	59.6



Product Information based on the requirements of Commission Regulation EU 2015/1095

Model : JEHS-0680-B3-M-3

Refrigerant fluid:		R404A	R407A	R448A	R449A	
Item	Symbol	Value				Unit
Evaporating temperature*	t	-10				°C
Annual electricity consumption	Q	21075	22240	22298	22298	kWh/a
Seasonal Energy Performance Ratio	$SEPR$	3.19	2.96	2.96	2.96	
Parameters at full load and ambient temperature 32°C						
(Point A)						
Rated cooling capacity	P_A	10.95	10.70	10.50	10.50	kW
Rated power input	D_A	5.53	5.54	5.85	5.85	kW
Rated COP	COP_A	1.98	1.93	1.79	1.79	
Parameters at part load and ambient temperature 25°C						
(Point B)						
Declared cooling capacity	P_B	12.200	11.550	11.350	11.350	kW
Declared power input	D_B	4.810	4.880	5.210	5.210	kW
Declared COP	COP_B	2.54	2.37	2.18	2.18	
Parameters at part load and ambient temperature 15°C						
(Point C)						
Declared cooling capacity	P_C	13.700	12.650	12.500	12.500	kW
Declared power input	D_C	4.010	4.040	4.390	4.390	kW
Declared COP	COP_C	3.42	3.13	2.85	2.85	
Parameters at part load and ambient temperature 5°C						
(Point D)						
Declared cooling capacity	P_D	15.150	13.600	13.600	13.600	kW
Declared power input	D_D	3.350	3.320	3.700	3.700	kW
Declared COP	COP_D	4.52	4.10	3.68	3.68	
Parameters at full load and ambient temperature 43°C						
Cooling capacity	P_3	9.13	N/A	9.25	9.25	kW
Power input	D_3	6.72	N/A	7.00	7.00	kW
Declared COP	COP_3	1.36	N/A	1.32	1.32	
Other items						
Capacity control		Fixed				
Coefficient of degradation for fixed and staged capacity units*	Cd	0.25				
Contact details	Daikin Refrigeration Malaysia Sdn. Bhd. Lot 10, Jalan Perusahaan 8, Kawasan Perusahaan Pekan Banting, 42700 Banting, Selangor Darul Ehsan.					

Note: Published data based on condition - Return Gas Temperature 20°C



6SC0680EM-FBBA-55