

## CONDENSING UNIT SPECIFICATION SHEET

### Condensing Unit Details

Model JEHS-0800-B4-M-3  
 Application Medium Temperature

### Electrical Supply

400V / 3Ph / 50Hz

### Weights & Dimensions

Width 1348 mm  
 Depth 612 mm  
 Height 1727 mm  
 Mounting Dims. 940 mm (W) x 560 mm (D)  
 Weight (Dry) 204 kgs

### Compressor Data

Type ZB57KCE-TFD  
 Swept Volume 21.40 m<sup>3</sup>/h  
 Oil Charge 1.89 litres  
 Nom. Current (A) 9.6  
 MCC (A) 21.3  
 LRC (A) 102.0

### Fan Motors

No. 2  
 FLC (A) 1.8 (2x 0.9)

### Condenser Coil

Type Al-Cu Fin/Tube  
 Volume 8.73 litres

### Liquid Receiver

Volume 13.6 litres

### Airflow

Volume 8500 m<sup>3</sup>/h

### Applicable Refrigerants

R134a/R404A/R407A/R407F/R448A/R449A

### Unit Connections

Liquid 3/4"  
 Suction 1-1/8"

### Sound Pressure Level @ 10m (-10°C/+32°C)

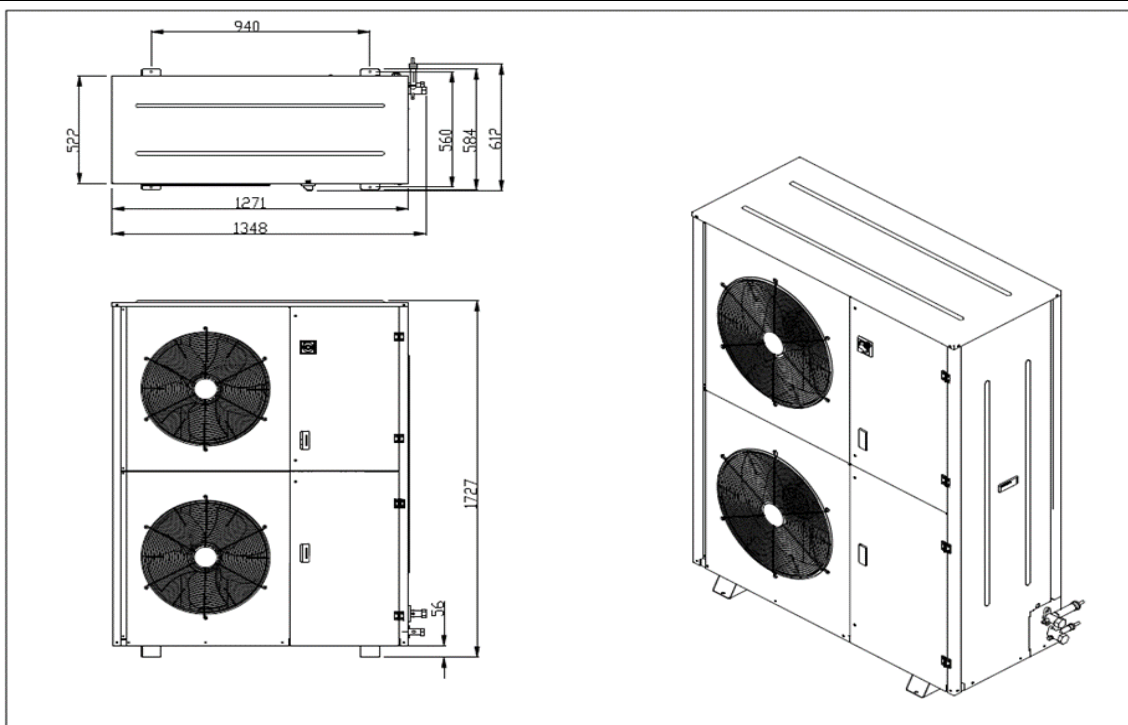
43 dB(A)

### Performance Data at -10°C/+32°C Conditions

	Capacity (W) 10K SH	Capacity (W) 20°C RGT
R134a	7950	8210
R404A	12950	13850
R407A	12550	12950
R407F	12650	12900
R448A	12300	12650
R449A	12300	12650

### 1/1 Octave Sound Pressure Levels @ 1 meter from the unit

Frequency							
125 Hz	250 Hz	500 Hz	1 kHz	2 kHz	4 kHz	8 kHz	A (dBA)
70.1	63.4	61.1	57.8	51.9	46.3	39.1	63.2



# Product Information based on the requirements of Commission Regulation EU 2015/1095

Model : JEHS-0800-B4-M-3

Refrigerant fluid:		R404A	R407A	R407F	R448A	R449A	R134a	
Item	Symbol	Value						Unit
Evaporating temperature*	$t$	-10						°C
Annual electricity consumption	$Q$	24409	25491	26882	26969	26969	16257	kWh/a
Seasonal Energy Performance Ratio	$SEPR$	3.49	3.12	2.95	2.88	2.88	3.10	
<b>Parameters at full load and ambient temperature 32 °C</b>								
<b>(Point A)</b>								
Rated cooling capacity	$P_A$	13.85	12.95	12.90	12.65	12.65	8.21	kW
Rated power input	$D_A$	5.96	6.24	6.13	6.23	6.23	3.74	kW
Rated COP	$COP_A$	2.32	2.08	2.10	2.03	2.03	2.20	
<b>Parameters at part load and ambient temperature 25 °C</b>								
<b>(Point B)</b>								
Declared cooling capacity	$P_B$	15.250	14.050	13.900	13.400	13.400	8.590	kW
Declared power input	$D_B$	5.340	5.500	5.570	5.750	5.750	3.450	kW
Declared COP	$COP_B$	2.86	2.55	2.50	2.33	2.33	2.49	
<b>Parameters at part load and ambient temperature 15 °C</b>								
<b>(Point C)</b>								
Declared cooling capacity	$P_C$	17.150	15.450	15.050	14.700	14.700	9.390	kW
Declared power input	$D_C$	4.580	4.630	4.790	4.840	4.840	2.880	kW
Declared COP	$COP_C$	3.74	3.34	3.14	3.04	3.04	3.26	
<b>Parameters at part load and ambient temperature 5 °C</b>								
<b>(Point D)</b>								
Declared cooling capacity	$P_D$	19.050	16.600	15.950	15.850	15.850	10.150	kW
Declared power input	$D_D$	3.970	3.910	4.090	4.020	4.020	2.390	kW
Declared COP	$COP_D$	4.80	4.25	3.90	3.94	3.94	4.25	
<b>Parameters at full load and ambient temperature 43 °C</b>								
Cooling capacity	$P_3$	11.45	N/A	N/A	N/A	N/A	7.26	kW
Power input	$D_3$	7.09	N/A	N/A	N/A	N/A	4.56	kW
Declared COP	$COP_3$	1.61	N/A	N/A	N/A	N/A	1.59	
<b>Other items</b>								
Capacity control		Fixed						
Coefficient of degradation for fixed and staged capacity units*	$C_d$	0.25						
Contact details	Daikin Refrigeration Malaysia Sdn. Bhd. Lot 10, Jalan Perusahaan 8, Kawasan Perusahaan Pekan Banting, 42700 Banting, Selangor Darul Ehsan.							

Note: Published data based on condition - Return Gas Temperature 20 °C



6SC0800EM-FBBA-55