

Condensing Unit Details

Model	JEHS-1000-B4-M-3
Application	Medium Temperature

Electrical Supply

400V / 3Ph / 50Hz

Weights & Dimensions

Width	1348 mm
Depth	612 mm
Height	1727 mm
Mounting Dims.	940 mm (W) x 560 mm (D)
Weight (Dry)	226 kgs

Compressor Data

Type	ZB76KCE-TFD
Swept Volume	29.10 m ³ /h
Oil Charge	3.20 litres
Nom. Current (A)	14.4
MCC (A)	28.0
LRC (A)	118.0

Fan Motors

No.	2
FLC (A)	1.8 (2x 0.9)

Condenser Coil

Type	Al-Cu Fin/Tube
Volume	8.73 litres

Liquid Receiver

Volume	13.6 litres
--------	-------------

Airflow

Volume	8500 m ³ /h
--------	------------------------

Applicable Refrigerants

R134a/R404A/R407A/R407F/R448A/R449A

Unit Connections

Liquid	3/4"
Suction	1-3/8"

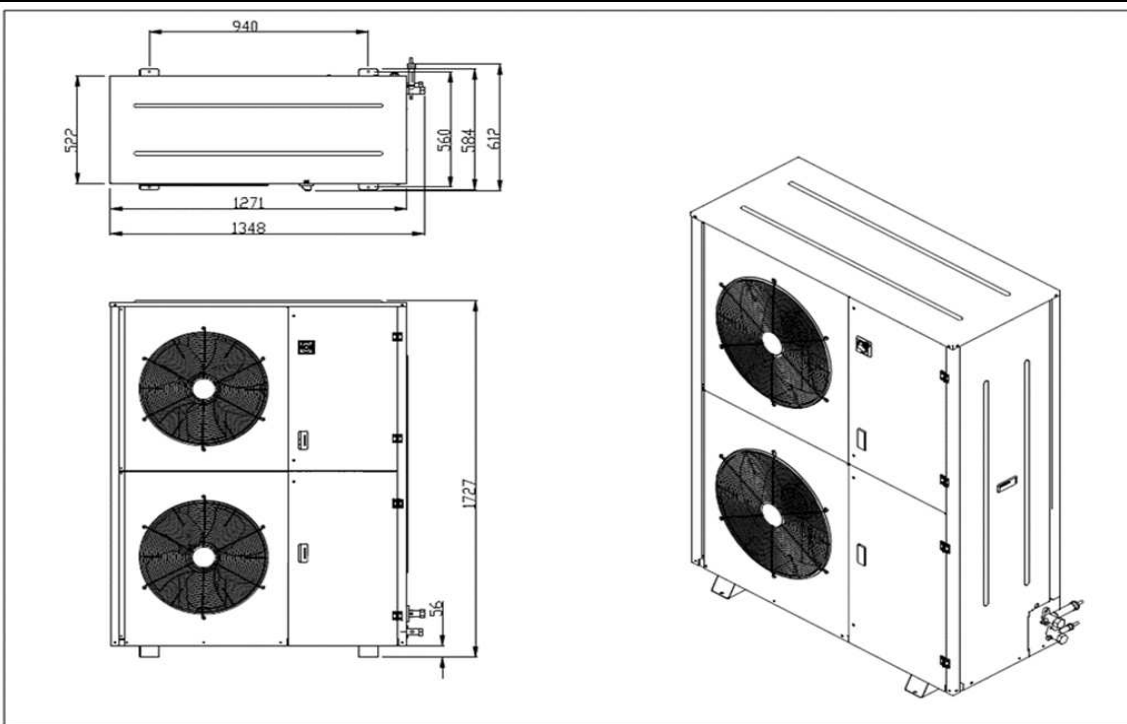
Sound Pressure Level @ 10m (-10°C/+32°C)

43 dB(A)

Performance Data at -10°C/+32°C Conditions

	Capacity (W) 10K SH	Capacity (W) 20°C RGT
R134a	10400	10750
R404A	16450	17750
R407A	14750	n/a
R407F	15950	n/a
R448A	15250	15850
R449A	15250	15850

1/1 Octave Sound Pressure Levels @ 1 meter from the unit							
Frequency							
125 Hz	250 Hz	500 Hz	1 kHz	2 kHz	4 kHz	8 kHz	A (dBA)
67.6	66.7	60.6	58.0	52.5	47.9	39.7	63.3



Product Information based on the requirements of Commission Regulation EU 2015/1095

Model : JEHS-1000-B4-M-3

Refrigerant fluid:		R404A	R448A	R449A	R134a	
Item	Symbol	Value				Unit
Evaporating temperature*	t	-10				°C
Annual electricity consumption	Q	33116	34432	34432	19586	kWh/a
Seasonal Energy Performance Ratio	$SEPR$	3.30	2.83	2.83	3.37	
Parameters at full load and ambient temperature 32°C						
(Point A)						
Rated cooling capacity	P_A	17.75	15.85	15.85	10.75	kW
Rated power input	D_A	8.62	8.68	8.68	4.86	kW
Rated COP	COP_A	2.06	1.83	1.83	2.21	
Parameters at part load and ambient temperature 25°C						
(Point B)						
Declared cooling capacity	P_B	19.450	17.350	17.350	11.550	kW
Declared power input	D_B	7.700	7.690	7.690	4.270	kW
Declared COP	COP_B	2.53	2.26	2.26	2.70	
Parameters at part load and ambient temperature 15°C						
(Point C)						
Declared cooling capacity	P_C	22.400	19.250	19.250	12.700	kW
Declared power input	D_C	6.280	6.400	6.400	3.550	kW
Declared COP	COP_C	3.57	3.01	3.01	3.58	
Parameters at part load and ambient temperature 5°C						
(Point D)						
Declared cooling capacity	P_D	24.800	20.900	20.900	13.700	kW
Declared power input	D_D	5.290	5.280	5.280	2.940	kW
Declared COP	COP_D	4.69	3.96	3.96	4.66	
Parameters at full load and ambient temperature 43°C						
Cooling capacity	P_3	14.15	N/A	N/A	9.46	kW
Power input	D_3	10.75	N/A	N/A	5.92	kW
Declared COP	COP_3	1.32	N/A	N/A	1.60	
Other items						
Capacity control		Fixed				
Coefficient of degradation for fixed and staged capacity units*	C_d	0.25				
Contact details	Daikin Refrigeration Malaysia Sdn. Bhd. Lot 10, Jalan Perusahaan 8, Kawasan Perusahaan Pekan Banting, 42700 Banting, Selangor Darul Ehsan.					

Note: Published data based on condition - Return Gas Temperature 20°C



6SC1000EM-FBBA-55