

Condensing Unit Details

Model JEHS-1500-B6-M-3
 Application Medium Temperature

Condenser Coil

Type Al-Cu Fin/Tube
 Volume 19.00 litres

Electrical Supply

400V / 3Ph / 50Hz

Liquid Receiver

Volume 18.0 litres

Weights & Dimensions

Width 1735 mm
 Depth 854 mm
 Height 1727 mm
 Mounting Dims. (Please refer to drawing)
 Weight (Dry) 332 kgs

Airflow

Volume 11,340 m³/h

Applicable Refrigerants

R134a/R404A/R407A/R407F/R448A/R449A

Unit Connections

Liquid 3/4"
 Suction 1-3/8"

Sound Pressure Level @ 10m (-10°C/+32°C)

48 dB(A)

Compressor Data

Type ZB114K5E-TFD
 Swept Volume 43.40 m³/h
 Oil Charge 3.37 litres
 Nom. Current (A) 24.0
 MCC (A) 38.0
 LRC (A) 174.0

Performance Data at -10°C/+32°C Conditions

	Capacity (W) 10K SH	Capacity (W) 20°C RGT
R134a	15573	16134
R407A	23200	23989
R407F	25770	26295
R448A	24093	24876
R449A	24093	24876

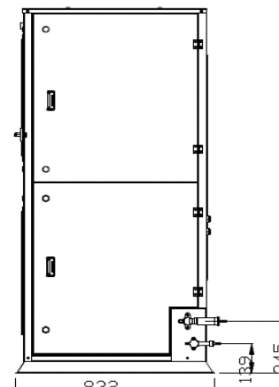
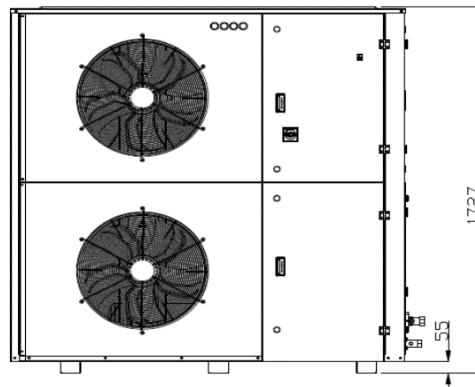
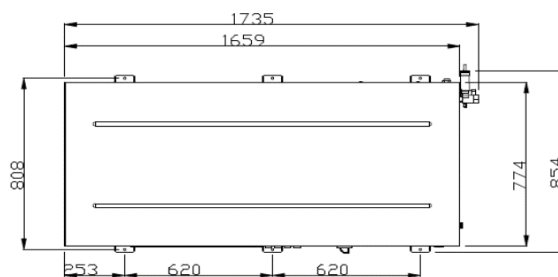
Oil Separator

Oil Charge 0.6 litre

Fan Motors

No. 2
 FLC (A) 3.4 (2x 1.7)

1/1 Octave Sound Pressure Levels @ 1 meter from the unit							
Frequency							
125 Hz	250 Hz	500 Hz	1 kHz	2 kHz	4 kHz	8 kHz	A (dBA)
73.5	68.8	65.7	62.5	56.2	50.4	41.9	68.1



Product Information based on the requirements of Commission Regulation EU 2015/1095

Model : JEHS-1500-B6-M-3

Refrigerant fluid:		R448A	R449A	R134a	
Item	Symbol	Value			Unit
Evaporating temperature*	t	-10			°C
Annual electricity consumption	Q	51854	51854	33492	kWh/a
Seasonal Energy Performance Ratio	$SEPR$	2.94	2.94	2.96	
Parameters at full load and ambient temperature 32 °C					
(Point A)					
Rated cooling capacity	P_A	24.88	24.88	16.13	kW
Rated power input	D_A	12.46	12.46	7.49	kW
Rated COP	COP_A	2.00	2.00	2.15	
Parameters at part load and ambient temperature 25 °C					
(Point B)					
Declared cooling capacity	P_B	27.357	27.357	17.343	kW
Declared power input	D_B	10.939	10.939	6.691	kW
Declared COP	COP_B	2.50	2.50	2.59	
Parameters at part load and ambient temperature 15 °C					
(Point C)					
Declared cooling capacity	P_C	29.841	29.841	18.683	kW
Declared power input	D_C	9.421	9.421	5.880	kW
Declared COP	COP_C	3.17	3.17	3.18	
Parameters at part load and ambient temperature 5 °C					
(Point D)					
Declared cooling capacity	P_D	31.904	31.904	19.880	kW
Declared power input	D_D	8.149	8.149	5.215	kW
Declared COP	COP_D	3.92	3.92	3.81	
Parameters at full load and ambient temperature 43 °C					
Cooling capacity	P_3	N/A	N/A	14.14	kW
Power input	D_3	N/A	N/A	8.96	kW
Declared COP	COP_3	N/A	N/A	1.58	
Other items					
Capacity control	Fixed				
Coefficient of degradation for fixed and staged capacity units*	C_d	0.25			
Contact details	Daikin Refrigeration Malaysia Sdn. Bhd. Lot 10, Jalan Perusahaan 8, Kawasan Perusahaan Pekan Banting, 42700 Banting, Selangor Darul Ehsan.				

Note: Published data based on condition - Return Gas Temperature 20° C



6SC1500EM-FBBA-55