

CONDENSING UNIT SPECIFICATION SHEET

Condensing Unit Details

Model JEHS-0300-B2-L-3
Application Low Temperature

Electrical Supply

400V / 3Ph / 50Hz

Weights & Dimensions

Width 1101 mm
Depth 444 mm
Height 662 mm
Mounting Dims. 703 mm (W) x 408 mm (D)
Weight (Dry) 78 kgs

Compressor Data

Type ZF09KQE-TFD
Swept Volume 8.00 m³/h
Oil Charge 1.50 litres
Nom. Current (A) 3.8
MCC (A) 6.5
LRC (A) 40.0

Oil Separator

Oil Charge 0.50 litre

Fan Motors

No. 1
FLC (A) 0.6

Condenser Coil

Type Microchannel
Volume 0.51 litre

Liquid Receiver

Volume 4.5 litres

Airflow

Volume 2700 m³/h

Applicable Refrigerants

R404A/R407A/R407F/R448A/R449A

Unit Connections

Liquid 3/8"
Suction 3/4"

Sound Pressure Level @ 10m (-25°C/+32°C)

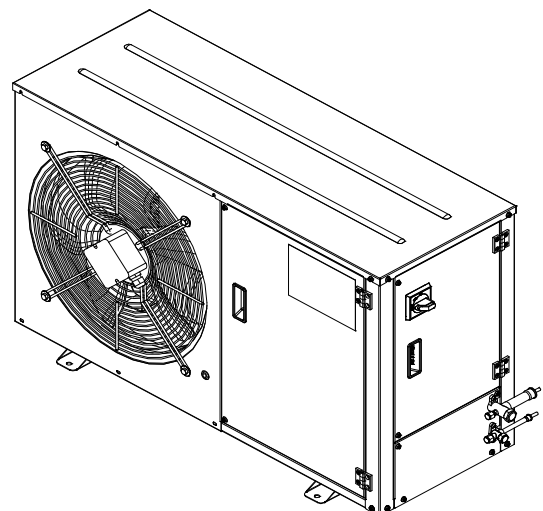
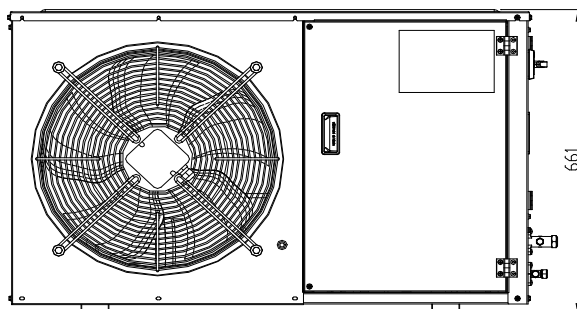
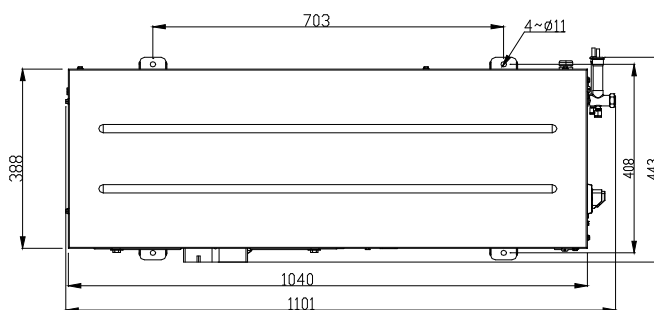
33 dB(A)

Performance Data at -35°C/+32°C Conditions

	Capacity (W) 10K SH	Capacity (W) 20°C RGT
R404A	1700	1980
R407A	1390	1510
R407F	1550	1630
R448A	1580	1700
R449A	1580	1700

1/1 Octave Sound Pressure Levels @ 1 meter from the unit

Frequency							
125 Hz	250 Hz	500 Hz	1 kHz	2 kHz	4 kHz	8 kHz	A (dBA)
50.1	53.6	51.7	46.2	41.6	34.9	35.0	52.5



Product Information based on the requirements of Commission Regulation EU 2015/1095

Model : JEHS-0300-B2-L-3

Refrigerant fluid:		R404A	R448A	R449A	
Item	Symbol	Value			Unit
Evaporating temperature*	t	-35			°C
Parameters at full load and ambient temperature 32 °C					
Rated cooling capacity	P_A	1.98	1.62	1.62	kW
Rated power input	D_A	1.81	1.67	1.67	kW
Rated COP	COP_A	1.09	0.97	0.97	
Parameters at full load and ambient temperature 25 °C					
Cooling capacity	P_2	2.22	1.71	1.71	kW
Power input	D_2	1.59	1.48	1.48	kW
COP	COP_2	1.40	1.16	1.16	
Parameters at full load and ambient temperature 43 °C					
Cooling capacity	P_3	1.59	1.43	1.43	kW
Power input	D_3	2.28	2.11	2.11	kW
COP	COP_3	0.70	0.68	0.68	
Other items					
Capacity control	Fixed				
Coefficient of degradation for fixed and staged capacity units*	Cd	0.25			
Contact details	Daikin Refrigeration Malaysia Sdn. Bhd. Lot 10, Jalan Perusahaan 8, Kawasan Perusahaan Pekan Banting, 42700 Banting, Selangor Darul Ehsan.				

Note: Published data based on condition - Return Gas Temperature 20° C



6SC0300EL-FBBA-55