

### Condensing Unit Details

|             |                  |
|-------------|------------------|
| Model       | JEHS-0750-B4-L-3 |
| Application | Low Temperature  |

### Electrical Supply

400V / 3Ph / 50Hz

### Weights & Dimensions

|                |                         |
|----------------|-------------------------|
| Width          | 1348 mm                 |
| Depth          | 612 mm                  |
| Height         | 1727 mm                 |
| Mounting Dims. | 940 mm (W) x 560 mm (D) |
| Weight (Dry)   | 203 kgs                 |

### Compressor Data

|                  |                         |
|------------------|-------------------------|
| Type             | ZF25K5E-TFD             |
| Swept Volume     | 21.40 m <sup>3</sup> /h |
| Oil Charge       | 1.90 litres             |
| Nom. Current (A) | 6.9                     |
| MCC (A)          | 16.6                    |
| LRC (A)          | 102.0                   |

### Oil Separator

|            |            |
|------------|------------|
| Oil Charge | 0.60 litre |
|------------|------------|

### Fan Motors

|         |              |
|---------|--------------|
| No.     | 2            |
| FLC (A) | 1.2 (2x 0.6) |

### Condenser Coil

|        |                |
|--------|----------------|
| Type   | Al-Cu Fin/Tube |
| Volume | 4.14 litres    |

### Liquid Receiver

|        |             |
|--------|-------------|
| Volume | 13.6 litres |
|--------|-------------|

### Airflow

|        |                        |
|--------|------------------------|
| Volume | 5750 m <sup>3</sup> /h |
|--------|------------------------|

### Applicable Refrigerants

R404A/R407A/R407F/R448A/R449A

### Unit Connections

|         |        |
|---------|--------|
| Liquid  | 1/2"   |
| Suction | 1-1/8" |

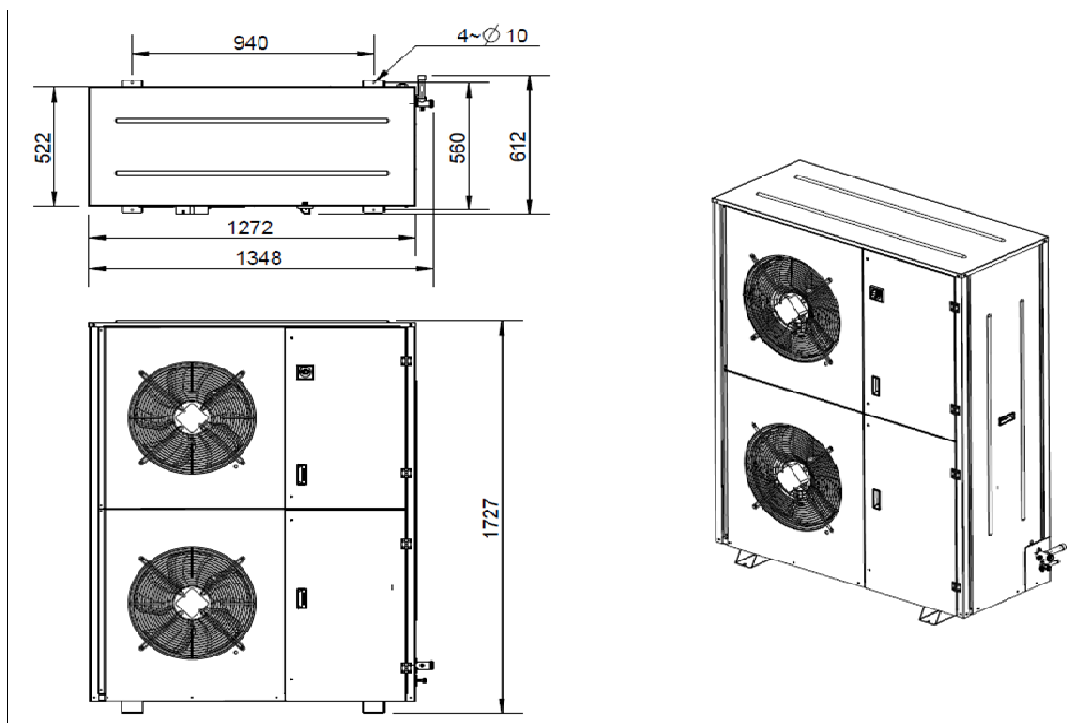
### Sound Pressure Level @ 10m (-25°C/+32°C)

41 dB(A)

### Performance Data at -35°C/+32°C Conditions

|       | Capacity (W) 10K SH | Capacity (W) 20°C RGT |
|-------|---------------------|-----------------------|
| R404A | 4560                | 5290                  |
| R407A | 4010                | 4290                  |
| R407F | 4200                | 4410                  |
| R448A | 4510                | 4810                  |
| R449A | 4510                | 4810                  |

| 1/1 Octave Sound Pressure Levels @ 1 meter from the unit |        |        |       |       |       |       |         |
|--|--------|--------|-------|-------|-------|-------|---------|
| Frequency  |        |        |       |       |       |       |         |
| 125 Hz   | 250 Hz | 500 Hz | 1 kHz | 2 kHz | 4 kHz | 8 kHz | A (dBA) |
| 66.6   | 62.7   | 57.9   | 55.7  | 51.1  | 46.4  | 39.9  | 61.2    |



# Product Information based on the requirements of Commission Regulation EU 2015/1095

Model : JEHS-0750-B4-L-3

| Refrigerant fluid:  |   | R404A | R448A | R449A |       |
|---|---|-------|-------|-------|-------|
| Item  | Symbol  | Value |       |       | Unit  |
| Evaporating temperature*  | $t$   | -35   |       |       | °C    |
| Annual electricity consumption                                  | $Q$   | 21649 | 21856 | 21856 | kWh/a |
| Seasonal Energy Performance Ratio                               | $SEPR$  | 1.82  | 1.64  | 1.64  |       |
| <b>Parameters at full load and ambient temperature 32 °C</b>    |   |       |       |       |       |
| <b>(Point A)</b>  |   |       |       |       |       |
| Rated cooling capacity  | $P_A$   | 5.29  | 4.81  | 4.81  | kW    |
| Rated power input   | $D_A$   | 3.88  | 4.08  | 4.08  | kW    |
| Rated COP   | $COP_A$   | 1.36  | 1.18  | 1.18  |       |
| <b>Parameters at part load and ambient temperature 25 °C</b>    |   |       |       |       |       |
| <b>(Point B)</b>  |   |       |       |       |       |
| Declared cooling capacity                                       | $P_B$   | 5.740 | 5.110 | 5.110 | kW    |
| Declared power input  | $D_B$   | 3.560 | 3.580 | 3.580 | kW    |
| Declared COP  | $COP_B$   | 1.61  | 1.43  | 1.43  |       |
| <b>Parameters at part load and ambient temperature 15 °C</b>    |   |       |       |       |       |
| <b>(Point C)</b>  |   |       |       |       |       |
| Declared cooling capacity                                       | $P_C$   | 6.220 | 5.410 | 5.410 | kW    |
| Declared power input  | $D_C$   | 3.250 | 3.160 | 3.160 | kW    |
| Declared COP  | $COP_C$   | 1.91  | 1.71  | 1.71  |       |
| <b>Parameters at part load and ambient temperature 5 °C</b>     |   |       |       |       |       |
| <b>(Point D)</b>  |   |       |       |       |       |
| Declared cooling capacity                                       | $P_D$   | 6.570 | 5.630 | 5.630 | kW    |
| Declared power input  | $D_D$   | 3.030 | 2.900 | 2.900 | kW    |
| Declared COP  | $COP_D$   | 2.17  | 1.94  | 1.94  |       |
| <b>Parameters at full load and ambient temperature 43 °C</b>    |   |       |       |       |       |
| Cooling capacity  | $P_3$   | 4.46  | 4.26  | 4.26  | kW    |
| Power input   | $D_3$   | 4.57  | 5.28  | 5.28  | kW    |
| Declared COP  | $COP_3$   | 0.98  | 0.81  | 0.81  |       |
| <b>Other items</b>  |   |       |       |       |       |
| Capacity control  |   | Fixed |       |       |       |
| Coefficient of degradation for fixed and staged capacity units* | $C_d$   | 0.25  |       |       |       |
| Contact details   | Daikin Refrigeration Malaysia Sdn. Bhd.<br>Lot 10, Jalan Perusahaan 8, Kawasan Perusahaan Pekan Banting, 42700 Banting, Selangor Darul Ehsan. |       |       |       |       |

Note: Published data based on condition - Return Gas Temperature 20° C



6SC0750EL-FBBA-55